



DIALOGUE CL-40

Amplified Cordless Telephone



Operating Instructions

Please read these Instructions carefully before use. Keep for future reference.

AMERIPHONE Inc., 12082 Western Ave., Garden Grove, CA 92841
(800) 874-3005, (714) 897-0808

Contents

Safety Instructions.....	2
HANDSET Controls-Location and Function.....	5
BASE UNIT Controls-Location and Function.....	7
Getting Started.....	9
Desk Mounting.....	11
Wall Mounting.....	12
Basic Operation.....	13
Receiving Calls.....	13
Placing Calls.....	14
Using the Headset Feature.....	14
Storing Numbers.....	16
Recalling Stored Numbers.....	16
Security System.....	17
Recharging the Battery Pack.....	18
Changing the Battery Pack.....	19
Problem Solving.....	20
Technical Information.....	21
FCC Requirements.....	22

Safety Instructions

IMPORTANT SAFETY INSTRUCTIONS

To reduce the risk of fire, electric shock and/or injury, always follow these basic safety precautions when using your cordless telephone equipment.

1. Read and understand all instructions.
2. Follow all warnings and instructions marked on the telephone.
3. Unplug this telephone from the wall outlet before cleaning or replacing the battery pack. Do not use liquid cleaners or aerosol cleaners on the telephone. Use a damp cloth for cleaning.
4. Do not use this telephone near a bathtub, wash bowl, kitchen sink, or laundry tub, in a wet basement, near a swimming pool, or anywhere else where there is water.
5. Place this telephone on a stable surface. Serious damage and/or injury may result if the telephone falls.
6. Do not cover the slots and openings on this telephone. This telephone should never be placed near or over a radiator or heat register. This telephone should not be placed in a built-in installation unless proper ventilation is provided.
7. Operate this telephone using the electrical voltage as stated on the base unit or in the Owner ' s Manual. If you are not sure of the voltage in your home, consult your dealer or local power company.
8. Do not place anything on the power cord. Install the telephone where no one will step or trip on the cord.
9. Do not overload wall outlets or extension cords as this can increase the risk of fire or electric shock.
10. Never push any objects through the slots in the telephone. They could touch dangerous voltage points or short out parts that could result in a risk of fire or electric shock. Never spill liquid of any kind on the telephone.
11. To reduce the risk of electric shock, do not take this telephone apart. If service or repair work is required on this telephone, take it to a qualified service representative. Opening or removing covers may expose you to dangerous voltage or other risks. Incorrect reassembly can cause electric shock when the appliance is subsequently used.
12. Unplug this telephone from the wall outlet and consult a qualified service representative in any of the following situations.
 - A. When the power supply cord is frayed or damaged.
 - B. If liquid has been spilled into the telephone.
 - C. If the telephone has been exposed to rain or water.
 - D. If the telephone does not operate normally by following the operating instructions. Adjust only those controls that are covered by the operating instructions. Improper adjustment may require extensive work by a qualified technician to restore the telephone to normal operation.
 - E. If the telephone has been dropped or the case has been damaged.
 - F. If the telephone exhibits a distinct change in performance.

Safety Instructions

13. Do not use the telephone to report a gas leak in the vicinity of the leak.
14. Never install telephone wiring during a lightning storm.
15. Never install telephone jacks in wet locations unless the jack is specifically designed for wet locations.
16. Never touch uninsulated telephone wires or terminals unless the telephone line has been disconnected at the network interface.
17. Use caution when installing or modifying telephone lines.

ADDITIONAL SAFETY NOTES FOR CANADIAN USERS

NOTICE: The Canadian Department of Communications label identifies certified equipment. This certification means that the equipment meets certain telecommunications network protective, operational and safety requirements. The Department does not guarantee the equipment will operate to the user's satisfaction.

Before installing the equipment, users should ensure that it is permissible to be connected to the facilities of the local telecommunications company. The equipment must also be installed using an acceptable method of connection. The customer should be aware that compliance with the above conditions may not prevent degradation of service in some situations. Repairs to certified equipment should be made by an authorized Canadian maintenance facility designated by the supplier. Any repairs or alteration made by the user to this equipment, or equipment malfunctions, may give the telecommunications company cause to request the user to disconnect the equipment. Users should ensure for their own protection that the electrical ground connections of the power utility, telephone lines and internal metallic water pipe system, if present, are connected together. This precaution may be particularly important in rural areas.

CAUTION: Users should not attempt to make such connections themselves, but should contact the appropriate electric inspection authority, or electrician, as soon as possible.

NOTICE: The LOAD NUMBER (LN) assigned to each terminal device denotes the percentage of the total load to be connected to a telephone loop which is used by the device, to prevent overloading. The termination on a loop may consist of any combination of devices subject only to the requirement that the sum of the load numbers of all devices does not exceed 100.

Safety Instructions

SAVE THESE INSTRUCTIONS

Battery Cautionary Instructions

CAUTION:

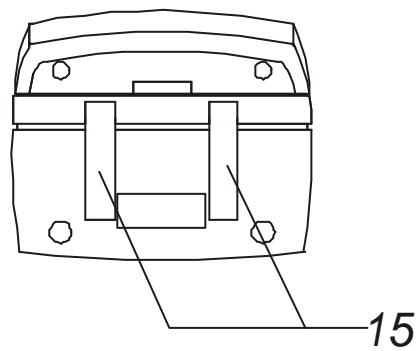
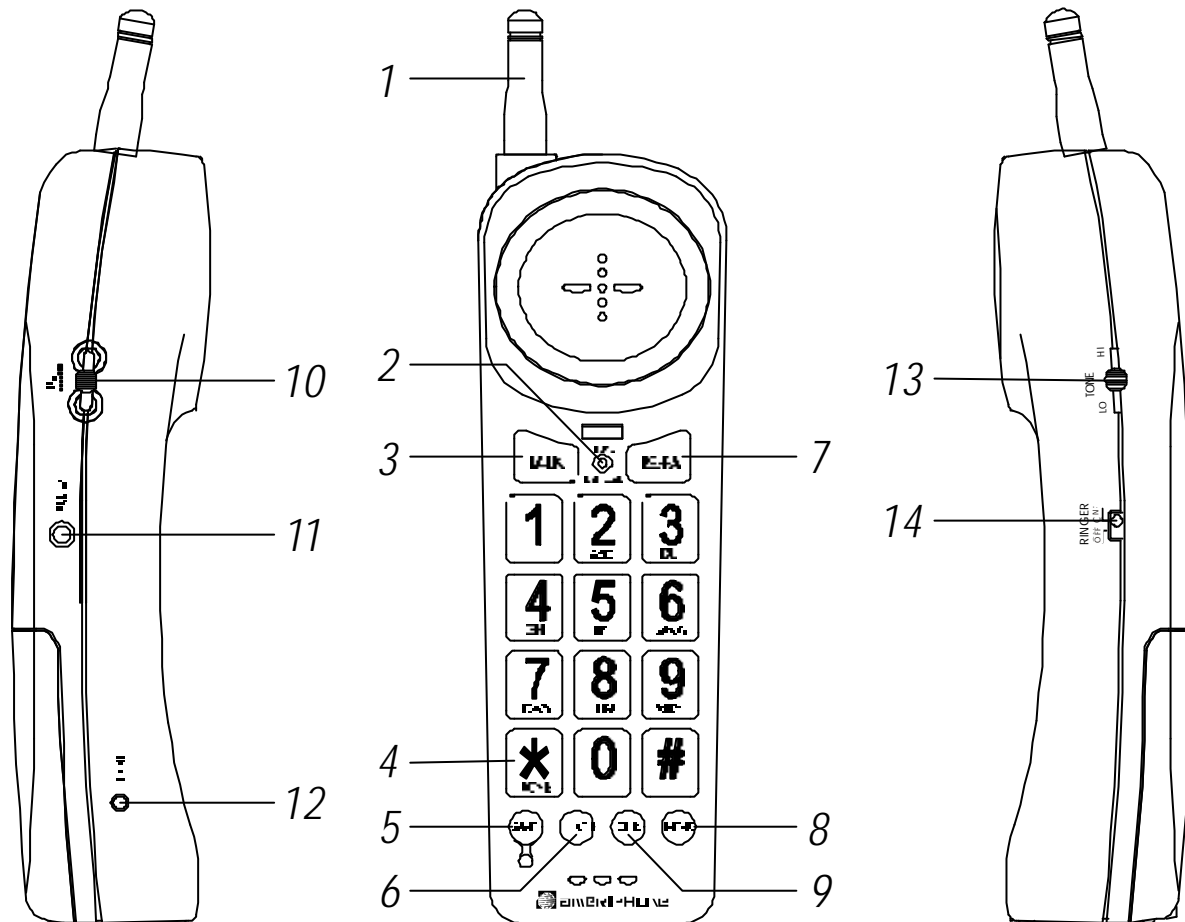
To reduce the risk of fire or personal injury, read and follow these instructions:

1. Use only the following type and size of battery pack:
 - Cordless Telephone Battery Pack
3.6V, 600mAh
 - Ni-Cd Battery Pack
2. Do not dispose of the battery pack in a fire. It may explode. Check with local codes for possible special disposal instructions.
3. Do not open or mutilate the battery pack. Released electrolyte is corrosive and may cause damage to the eyes or skin. It may be toxic if swallowed.
4. Exercise care in handling the battery pack to prevent shorting the battery with conductive materials such as rings, bracelets and keys. The battery pack or conductor may overheat and cause burns.
5. Charge the battery pack provided with or identified for use with this product only in accordance with the instructions and limitations specified in this manual.
6. Observe proper polarity orientation between the battery pack and battery charger.

ATTENTION:

The product that you have purchased contains a rechargeable battery pack. The battery pack is recyclable. At the end of its useful life, under various States and local laws, it may be illegal to dispose of this battery pack into the municipal waste stream. Check with your local solid waste officials for details in your area for recycling options or proper disposal.

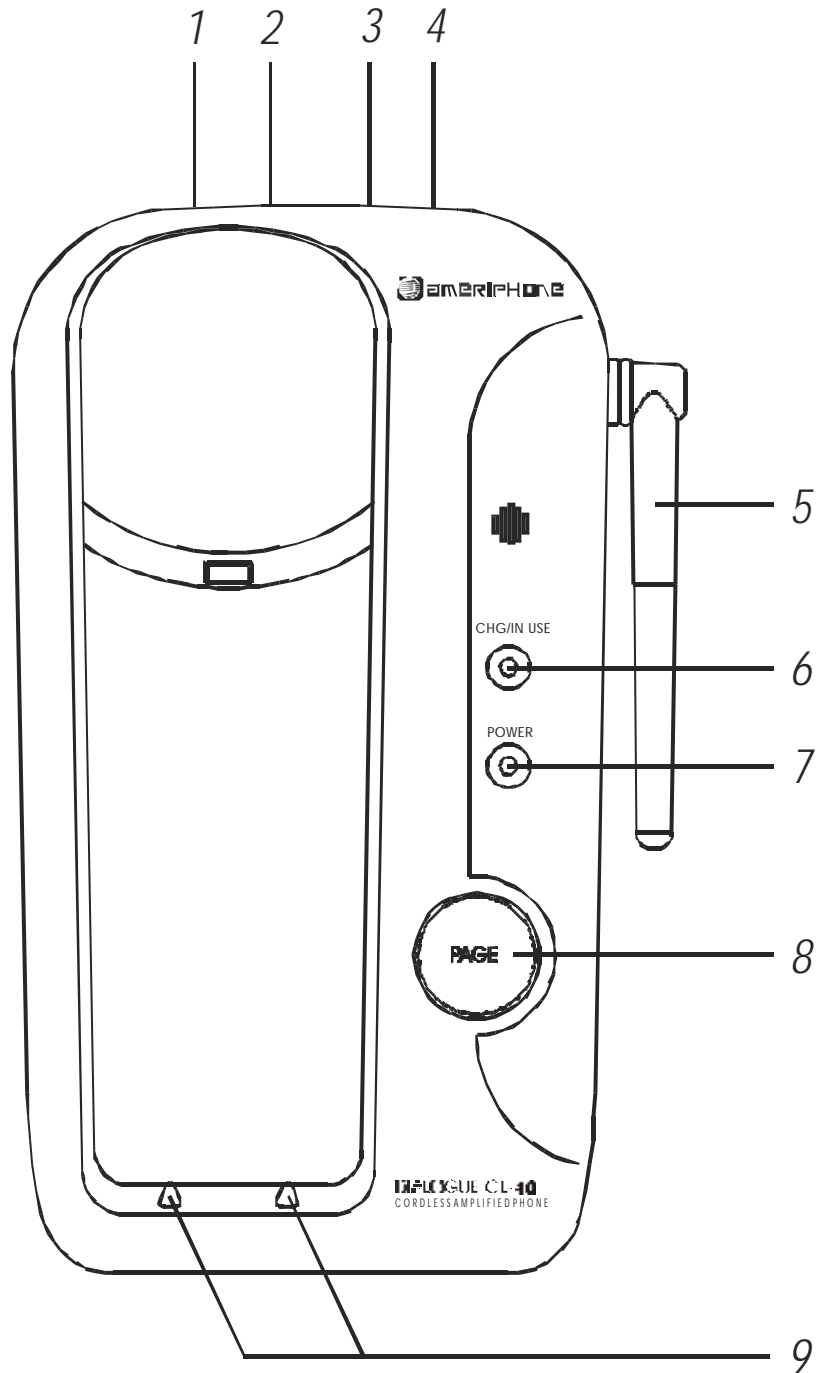
HANDSET Controls



HANDSET Controls

1. **Handset Antenna**
2. **IN USE/BATT LOW LED Indicator:** Lights up when the **HANDSET** is in TALK mode. Blinks when battery power is low.
3. **TALK Button:** Press to answer an incoming call, to place a call or to end a call.
4. **TONE (*) Button:** Press to temporarily change the dialing mode from Pulse to Tone for Rotary Service Users. (Press once before entering numbers to access the answering system or electronic banking services, etc.)
5. **AMPL (AMPLIFIER) Button:** Press to turn on the **HANDSET**'S amplifier.
6. **FLASH Button:** Press to answer an incoming call if you have Call Waiting.
7. **RE (REDIAL)/PA (PAUSE) Button:** (REDIAL) - Press to redial the last number you've dialed. (PAUSE) - Press to insert a pause while dialing. (Note: You'll need the **PAUSE** button to dial numbers which use an alternative long distance access code.)
8. **MEMO Button:** Press to store phone numbers in memory, to call a number you've previously stored or to set the phone's amplification to AUTO (see page 13).
9. **CHN (CHANNEL) Button:** Press to change the operating channel when you hear interference.
10. **VOLUME CONTROL SLIDE Switch:** Adjust the handset volume to your desired hearing level.
11. **AUDIO JACK:** For connecting your other assistive listening devices.
12. **HEADSET Jack:** For connecting your headset plug to enjoy "hands free" communication.
13. **TONE CONTROL SLIDE Switch:** Adjust the in-coming voice tone level on your handset so you can clearly understand every word.
14. **RINGER ON/OFF Switch:** Turns the **HANDSET**'S ringer On or Off.
15. **Charge CONTACTS:** For charging the battery pack inside the handset. It's recommended that it be periodically cleaned with a damp cloth.

BASE UNIT Controls



BASE UNIT Controls

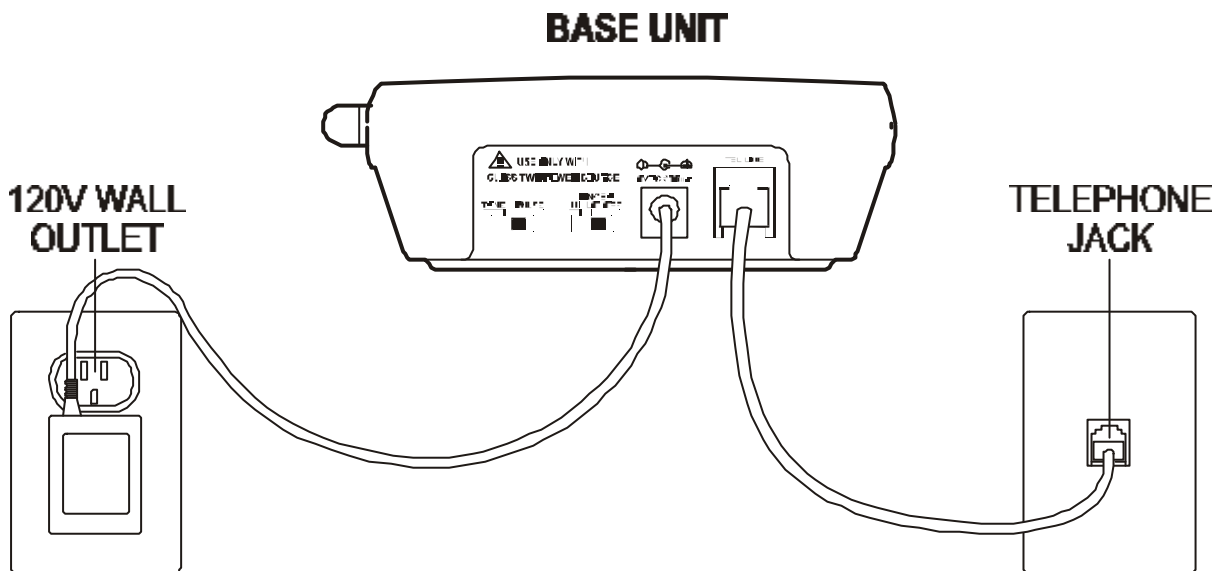
1. **TELEPHONE LINE CONNECTION Jack:** For connecting the other end of your telephone line cord from the telephone line outlet.
2. **POWER-IN CONNECTION Jack:** For connecting the AC Adaptor to the base unit.
3. **RINGER HI/MED/LOW:** Set the base unit ringer to HI, MED, LOW.
4. **TONE/PULSE Select Switch**
5. **Antenna:** Raise or reposition for the best reception.
6. **CHG(CHARGE)/IN USE LED Indicator:** Lights up to indicate the unit is ON or when the **HANDSET** is placed on the **BASE UNIT** for charging. It flashes when the PAGE function is activated.
7. **POWER LED Indicator:** Lights is solid when power is being supplied to the base unit.
8. **PAGE Button:** Press to page the handset. The handset emits four-short beeps continuously.
9. **Charge Terminals:** For charging the **HANDSET** battery pack. For best performance, clean periodically with a damp cloth only.

Getting Started

Connecting Your Phone

This section is a reference guide to the basic functions and operations of your cordless telephone. For more detailed descriptions of the operations and features of this telephone, refer to the Contents on page 1.

1. Carefully remove your cordless telephone from its shipping carton. If there is any visible damage, do not attempt to operate this equipment. Return it to the place of purchase.
2. Check to be sure you have all items that come with this cordless telephone system. You should have a **HANDSET**, **BASE UNIT**, AC ADAPTOR, MOUNTING BRACKET, TELEPHONE LINE CORD, SHORT TELEPHONE LINE CORD, and OWNER'S MANUAL, QUICK GUIDE.



CONNECTING THE BASE UNIT

3. Insert the small plug on the end of the AC ADAPTOR into the POWER-IN CONNECTION JACK at the back of the **BASE UNIT**.
4. Plug the AC adaptor into a 120V AC wall outlet.
⚠ USE ONLY WITH CLASS 2 POWER SOURCE 9V DC, 300mA.
Make sure that the AC adapter is inserted completely into the base unit jack.
5. Insert one plug of the TELEPHONE LINE CORD into the house TELEPHONE JACK and the other end into the TELEPHONE LINE CONNECTION JACK at the back of the base unit. (If you have an older 4-prong telephone jack, you will need an RJ-11C TELEPHONE JACK ADAPTOR. This adaptor is available at the same place you purchased your telephone.)

Getting Started (continued)

6. Raise or reposition the antenna on the base unit for the best reception.
7. We recommend not placing this unit next to appliances. Doing so may cause interference.
8. TONE/PULSE Select Switch:
 - A. If your home is equipped with a Tone dialing system, set the TONE/PULSE select switch to the TONE position.
 - B. If you have a rotary dialing system, set the TONE/PULSE select switch to PULSE position.
 - C. If you are unsure which system you have, set the TONE/PULSE select switch to the TONE position. Press the **TALK** button on the handset to get a dial tone, and press any key on the keypad except the zero. If the dial tone continues, it means that you do not have Touchtone dialing service. Press the **TALK** button on the handset to hang up. Set the TONE/PULSE select switch to the PULSE mode and then try again.
9. **Before initial use, charge the handset for 12 hours.**

Desk Mounting

Desk Mounting

One of the special features of your equipment is the unique design of the MOUNTING BRACKET which can hold your phone at an angle of 15° when desk mounting. There are two positions to choose from:

1. Normal position (Mounting Bracket not required)

For normal position, as shown in Figure 1, place the base unit on any desired but suitable location.

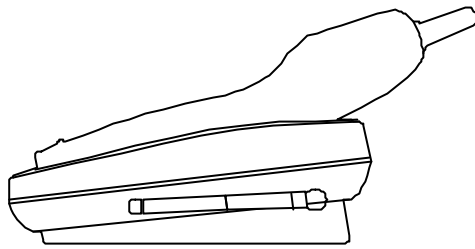
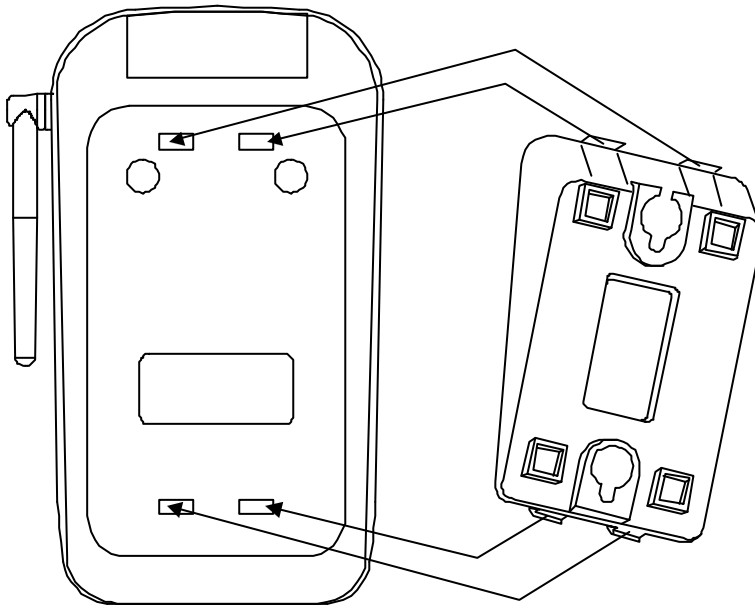


FIGURE 1

2. 15° position (See Figure 2)

With the back of the base unit facing up, insert the upper hooks of the MOUNTING BRACKET into the matching slots of the base unit. Press down on the opposite side of the MOUNTING BRACKET until the lower hooks locks into place.

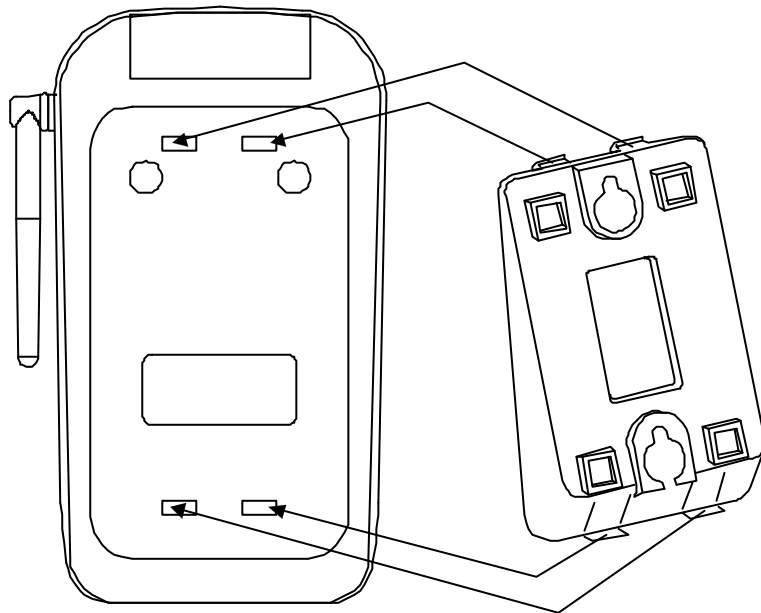


Wall Mounting

Wall Mounting

You may choose to put the **BASE UNIT** of your cordless telephone on a wall.

1. With the back of the **BASE UNIT** facing up, connect the SHORT TELEPHONE LINE CORD to the telephone line jack.
2. Insert the SHORT TELEPHONE LINE CORD through the hole of the MOUNTING BRACKET.
3. Insert the upper hooks of the MOUNTING BRACKET into the matching upper slots of the **BASE UNIT**. Press down on the opposite side of the MOUNTING BRACKET until the other hook locks into place.. Plug the free end of the SHORT TELEPHONE LINE CORD into the MODULAR WALL JACK.
4. Align the upper keyhole on the MOUNTING BRACKET with the upper STUD of the wall plate, so that the opening end of the MOUNTING BRACKET matches the lower stud, then pull the **BASE UNIT** down until it is securely seated.



Cordless Telephone Operation

Receiving Calls when the handset is in the base unit

- 1) When the phone rings, lift the handset. The base unit's IN USE LED indicator will light up. [NOTE: The handset's RINGER SWITCH must be in the "ON" position for the Ringer to operate.]
- 2) Start your conversation.
- 3) To amplify in-coming sound, press the AMPL button, slide the Volume Control to suit your hearing.
- 4) Slide the Tone Control switch up or down to attain optimum word clarity.
- 5) To end your conversation, either press the TALK button or replace the handset on the base unit. When you place the handset on the base unit charge cradle, you activate the automatic STANDBY feature.

Receiving Calls when the handset is NOT IN the Base Unit

- 1) When the phone rings, press the TALK button, The IN USE LED indicator on the handset will light up.
- 2) Remember that the handset's Ringer must be set to **ON** for the handset to ring when receiving incoming calls.
- 3) Start your conversation.
- 4) To amplify in-coming sound, press the AMPL button, slide the Volume Control to suit your hearing.
- 5) Slide the Tone Control switch up or down to attain optimum word clarity.
- 6) To end your conversation, either press the TALK button or place the handset back in the base unit. When you place the handset in the base unit's charge cradle, you automatically activate the STANDBY feature.

NOTE: If you are far away from the base unit, the handset will emit a beeping sound to warn you that the background noise level is too high for proper communication between the handset and the base unit. When you hear this sound, you should move closer to the base unit to reduce the noise level interference. **Otherwise, the call will automatically cut off.**

Automatic Amplifier Setting

To set the Amplifier so that it AUTOMATICALLY returns to your previous volume setting every time you use the handset:

- 1) Press the MEMO button twice.
- 2) Press the (*) button.
- 3) To turn this feature OFF, repeat above steps.

Cordless Telephone Operation

Caution: Repeated incremental exposure to amplification levels greater than 18 dB may be harmful to individuals without hearing disabilities. Therefore, do not remove the warning label attached to the back of the handset. If it is likely that a visually impaired person will use the telephone, securely attach the provided warning printed in Braille to the back of the handset (See, Diagram A).

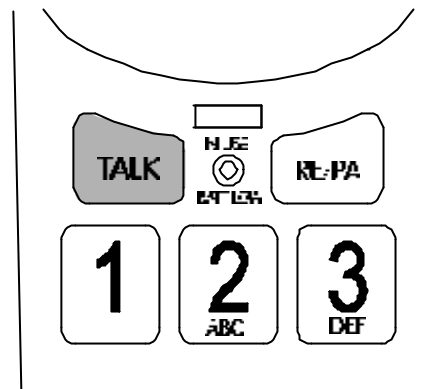


Diagram A

Cordless Telephone Operation

Placing Calls

1. Press the **TALK** button. The IN USE LED indicator will light up.
2. Listen for a dial tone.
3. Dial the phone number.
4. When you have finished with your call, press the **TALK** button again. The IN USE LED indicator will turn off.



Handset REDIAL Feature

1. If you get a busy tone, press the **TALK** button to hang up.
2. Later, press the **TALK** button again.
3. Listen for a dial tone.
4. Press the **RE/PA** button. This will automatically redial the last telephone number you called.

Using the Headset Feature

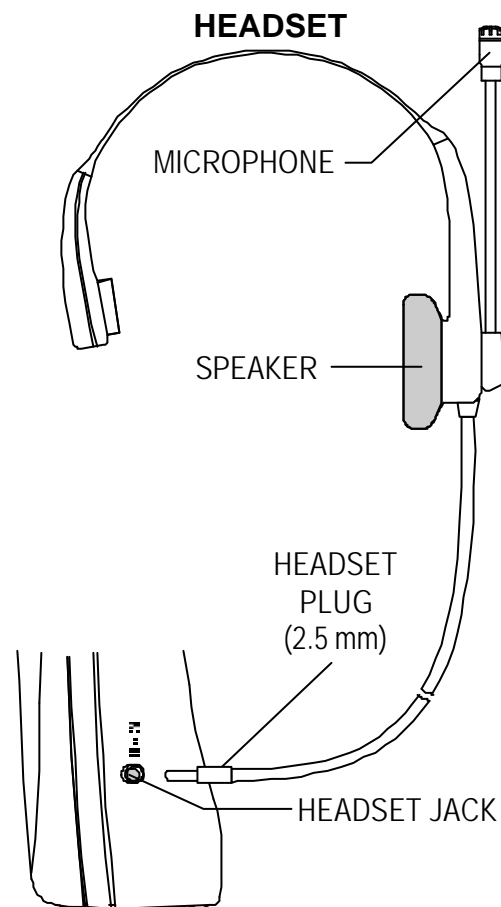
Your telephone can utilize a headset (not included) to be connected to your **HANDSET** for you to enjoy a hands-free communication.

Insert the small plug on the end of the headset into the HEADSET JACK at the right side of the **HANDSET**. Follow the procedures discussed in "Receiving Calls" and "Placing Calls" when to receive and place a call.

Note:

When you plug in the headset plug into the HEADSET JACK it automatically mutes the microphone and speaker of the handset. Unplug the headset to return the handset normal use.

Headsets are available at most retail outlets that sell telephone equipment. The HEADSET JACK is compatible with 2.5 mm headset plugs only.

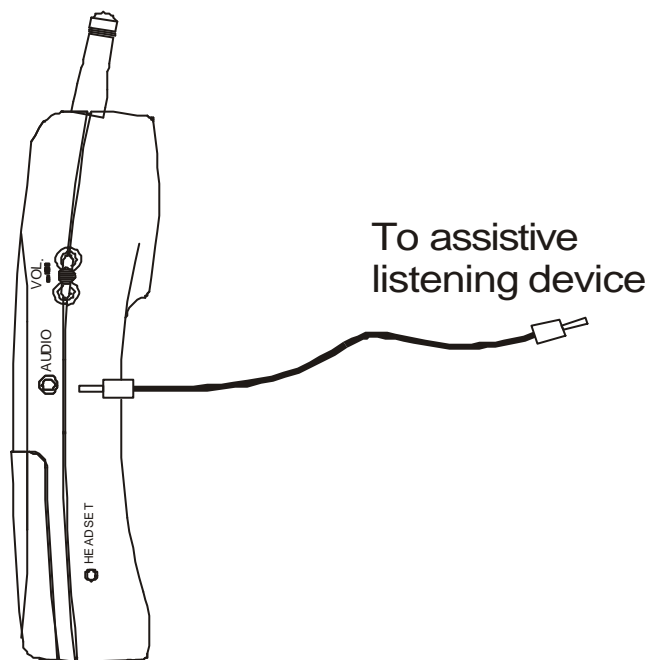


Cordless Telephone Operation

Direct Audio Connection

The AUDIO output jack allows you to connect your **CL-40** to other assistive listening device such as a cochlear implant. To connect an assistive listening device:

- 1) Plug a compatible auxiliary cable (available from Ameriphone dealers) into the AUDIO Jack.
- 2) Plug the other end into your assistive listening device.
- 3) When you have the assistive listening device connected, you still must speak into the handset.



Cordless Telephone Operation

Storing Numbers

1. Do not press the **TALK** button after taking the handset off of the cradle.
2. Press the **MEMO** button.
3. Dial the number you want to store.
4. Press the **MEMO** button again.
5. Dial the index number (0-9) where you want to store that number. You will hear one confirmation beep.
6. Write the name of the person you will be calling with that number next to the corresponding index number on the telephone number card.
7. Repeat steps 1 through 6 for other telephone numbers.

EXAMPLE : To store the number 703-1968 under the index number 1 on the keypad:

- | | |
|---|--|
| 1 - Press the MEMO button. | 4 - Press 1 on the keypad. |
| 2 - Dial 703-1968. | 5 - You have stored 703-1968 under button 1 on the keypad. |
| 3 - Press the MEMO button again. | |

A total of 10 telephone numbers can be programmed in memory.

IMPORTANT:

The maximum number of digits that can be stored for any phone number is 16 in pulse or tone mode. The maximum number of digits for mixed (tone and pulse in combination) dialing is 15. If you are using a switchboard system to access an outside line (such as an 8 or 9), press the **RE/PA** button to store a pause.

Recalling Stored Numbers from Memory

1. Press the **TALK** button.
2. Press the **MEMO** button.
3. Press the index number for the number you have stored. The stored number will be dialed automatically.

EXAMPLE: To recall number 703-1968 stored under button 1 on the keypad:

- Press the **TALK** button.
- Press the **MEMO** button.
- Dial 1.

Security

Security

Your cordless telephone uses a digital coding security system to prevent unauthorized use of your telephone line by another nearby cordless telephone. The system has its own identifying signal created by microcomputers in both the base unit and handset.

Security Code

This telephone has an internal security code with 65,536 possible combinations.

Multi-Channel Access

Your cordless telephone lets you select a channel from the 40 frequencies available to transmit signals between the base unit and handset. When you notice interference from other cordless telephones, change to another channel by pressing the **CHN (CHANNEL)** button on the handset.

Recharging the Battery Pack

Battery Type

Use the following type and size of battery pack:

Cordless Telephone Battery Pack

3.6V, 600mAh

Ni-Cd Battery Pack

Recharging the Battery Pack

The nickel cadmium (Ni-Cd) battery pack in the handset can be recharged many times using the built-in charger in the base unit.

When the BATTERY LOW indicator starts to blink, a “beep” sound will be heard every 12 seconds. This indicates that the battery pack needs to be recharged.

Charge the battery pack at least once every 90 days of nonuse to avoid battery failure. When the battery pack can no longer be charged, replacement of the battery pack will be necessary.

The battery pack used in your telephone may develop a condition known as “MEMORY”. Once subjected to a regular short discharging routine, the battery assumes the discharging pattern it was subjected to. This is known as a “MEMORY” condition which causes rapid discharging thereby shortening the battery pack charge span. If you believe your battery pack has developed a memory condition, do not charge the handset until the BATTERY LOW LED indicator comes on. When it does come on, charge the handset fully for 12 hours.

Changing the Battery Pack

Changing the Battery Pack

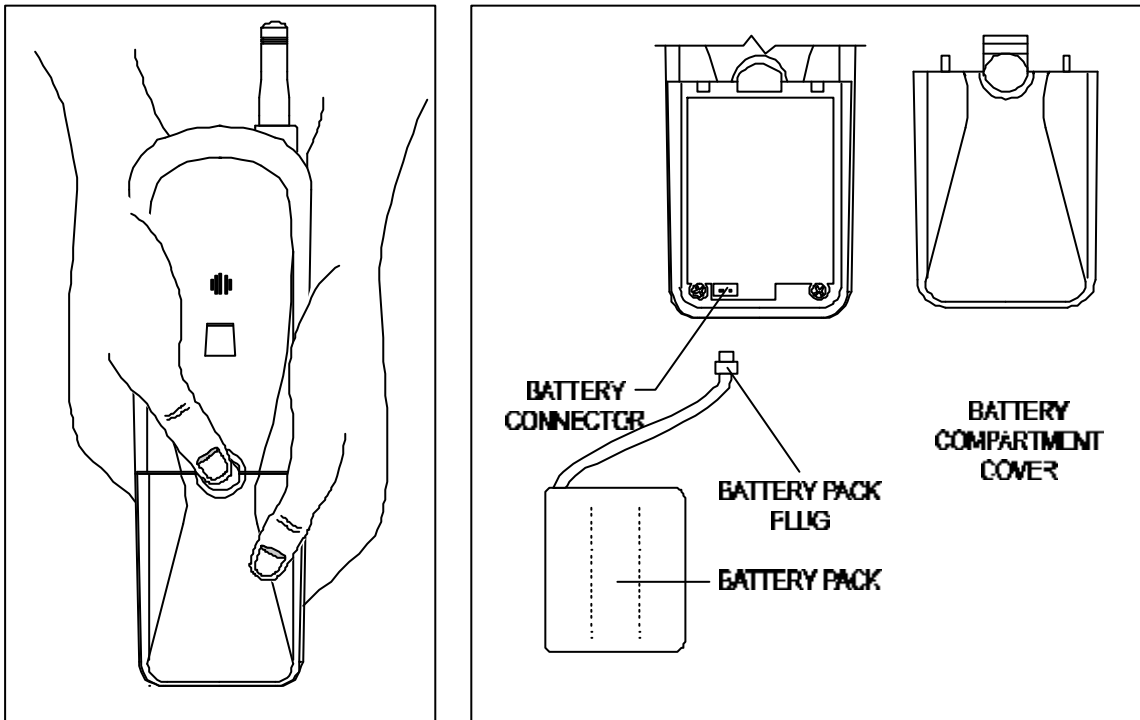
The battery pack provides power for the handset of your cordless telephone.

To Replace the Battery Pack:

1. Remove the HANDSET BATTERY COMPARTMENT COVER by pressing the circular rib on top of the cover and sliding it down.
2. Pull out the battery pack plug and remove the battery pack.
3. Plug the new battery pack into the battery connector.
4. Slide the handset battery compartment cover firmly into place in its closed position.
5. Before use, charge the new battery pack for 12 hours.

ATTENTION:

The product that you have purchased contains a rechargeable battery pack. The battery pack is recyclable. At the end of its useful life, under various state and local laws, it may be illegal to dispose of this battery pack into the municipal waste stream. Check with your local solid waste officials for details in your area for recycling options or proper disposal.



Remove the handset battery compartment cover by pressing the circular on the top side of the cover then slide it down.

Problem Solving

Problem Solving Section

For your assistance, we have listed below a few common problems.

Phone does not work, check the following:

1. Base unit is plugged into power source.
2. Handset is charged.
3. TONE/PULSE switch is in the right position.
4. TELEPHONE LINE CORD is plugged into the TELEPHONE LINE JACK.

Range of phone limited, check the following:

1. ANTENNA on the base unit is raised.
2. Base unit is centrally located in your residence.
3. Base unit is not located near appliances.

No dial tone, check the following:

1. Telephone plug is connected to the telephone line.
2. Base unit is plugged into the power source.

Received signal flutters or fades, check the following:

1. Battery pack in **HANDSET** is fully charged.
2. **HANDSET** is not too far from the **BASE UNIT**.
3. ANTENNA on **BASE UNIT** is raised.

Interference on reception, check the following:

1. Noise may be picked up from electrical products in the home or electrical storms. Generally, this noise is a minor annoyance and should not be interpreted as a defect in your system. (See Technical Information on page 21).
2. Choose an alternate channel using the **CHN (CHANNEL)** button on the handset.

Excess static, check the following:

1. Check to see that the antenna is not touching another metal object.
2. Raise or reposition the Base unit antenna.

If after pressing the TALK button, you receive three beeps and no dial tone, check the following:

1. Base unit is plugged into power source.

NOTE: If no telephones in the house are working, disconnect one set at a time to verify that none of the phones are causing the problem. If you still have a problem after doing this and your telephone still does not work, please contact your local phone company.

Technical Information

Technical Information

This cordless telephone uses radio frequencies to allow mobility. There are certain difficulties in using radio frequencies with a cordless telephone. While these are normal, the following could affect the operation of your system.

Noise

Electrical pulse noise is present in most homes at one time or another. This noise is most intense during electrical storms. Certain kinds of electrical equipment such as light dimmers, fluorescent bulbs, motors, and fans also generate noise pulses. Because radio frequencies are susceptible to these noise pulses, you may occasionally hear them in your handset. Generally they are minor annoyance and should not be interpreted as a defect in your system.

Range

Because radio frequency is used, the location of the base unit can affect the operating range. Try several locations in your home or office and pick the one that gives you the clearest signal to the handset.

Interference

Electronic circuits activate a relay to connect the cordless telephone to your telephone line. These electronic circuits operate in the radio frequency spectrum. While several protection circuits are used to prevent unwanted signals, there may be periods when these unwanted signals enter the base unit. You may hear clicks or hear the relay activate while you are not using the handset. If the interference occurs frequently, it can be minimized or eliminated by lowering the height of your base antenna or by relocating the base unit. You can check for interference before selecting the final base unit location by plugging in the phone.

NOTICE:

This cordless telephone uses radio communication between the handset and the base unit and may not ensure privacy of communication. Other devices, including other cordless telephone, may interfere with the operation of this cordless telephone or cause noise during operation. Units not containing coded access may be accessed by other radio communication systems. Cordless telephones must not cause interference to any licensed radio service.

FCC Requirements

Federal Communications Commission Requirements

This equipment complies with Part 68 of FCC Rules. A label on the **BASE UNIT** of this equipment contains, among other information, the FCC Registration Number and the Ringer Equivalence Number (REN) for this equipment. You must, upon request, provide this information to your telephone company.

The REN is also useful in determining the quantity of devices that you may connect to your telephone line and still allow these devices to ring when your telephone number is called. In most areas, but not all, the sum of the REN' s for all devices connected to one line should not exceed five (5.0). To be certain of the number of devices that you may connect to your line, you should contact your local telephone company.

If your equipment should cause harm to the telephone network, the telephone company may temporarily disconnect your service. If possible, they will notify you in advance that temporary discontinuance of service may be required. However, when advance written notice is not possible, the telephone company may temporarily discontinue service without notice if such action is necessary under the circumstances. The telephone company may make changes in its communication facilities, equipment, operations, or procedures where such action is reasonably required in the operation of its business and is not inconsistent with the rules and regulations of the Federal Communications Commission. **Do not attempt to repair or modify this equipment.**

Warning: Changes or modifications not expressly approved by the party responsible for its compliance could void the user' s authority to operate the equipment.

Some cordless telephones operate at frequencies that may cause interference to nearby TV' s and VCR' s. To minimize or prevent such interference, the base of the cordless telephone should not be placed on or near a TV or VCR. If interference is experienced, moving the cordless telephone farther away from the TV or VCR will often reduce or eliminate the interference.

This equipment should not be used on coin telephone lines. Connection to party line service is subject to state tariffs. If trouble is experienced, disconnect this equipment from the telephone line to determine if it is causing the malfunction. If the equipment is determined to be malfunctioning, its use should be disconnected until the problem has been corrected.

FCC Requirements

Federal Communications Commission Requirements (continued)

Note:

This equipment has been tested and found to comply with the limits for a class B digital device, pursuant to Part 15 of the FCC Rules. These limits are designed to provide reasonable protection against harmful interference in a residential installation. This equipment generates, uses and can radiate radio frequency energy and, if not installed and used in accordance with the instructions, may cause harmful interference to radio communications.

However, there is no guarantee that interference will occur in a particular installation. If this equipment does cause harmful interference to radio or television reception, which can be determined by turning the equipment off and on, the user is encouraged to try to correct the interference by one of the following measures.

1. Reorient or relocate the receiving antenna.
2. Increase the distance between the equipment and the receiver.
3. Connect the equipment into an outlet on a circuit different from that to which the receiver is connected.
4. Consult the dealer or an experienced radio/TV technician for help.